



LION GUN® Electric Torque Tool

The LION GUN is the world's first affordable precision bolting system with built-in data recording. Set your desired torque output on the LION GUN's display and pull the trigger to get precise, repeatable torque without excessive noise or vibration.

INDUSTRIAL-GRADE POWER



The LION GUN's industrial-strength gearbox is driven by a brushless DC motor connected to a non-impacting gearbox to deliver torque faster, smoother and more reliably than manual clicker wrenches, impact wrenches and other tightening tools.

UNMATCHED PORTABILITY



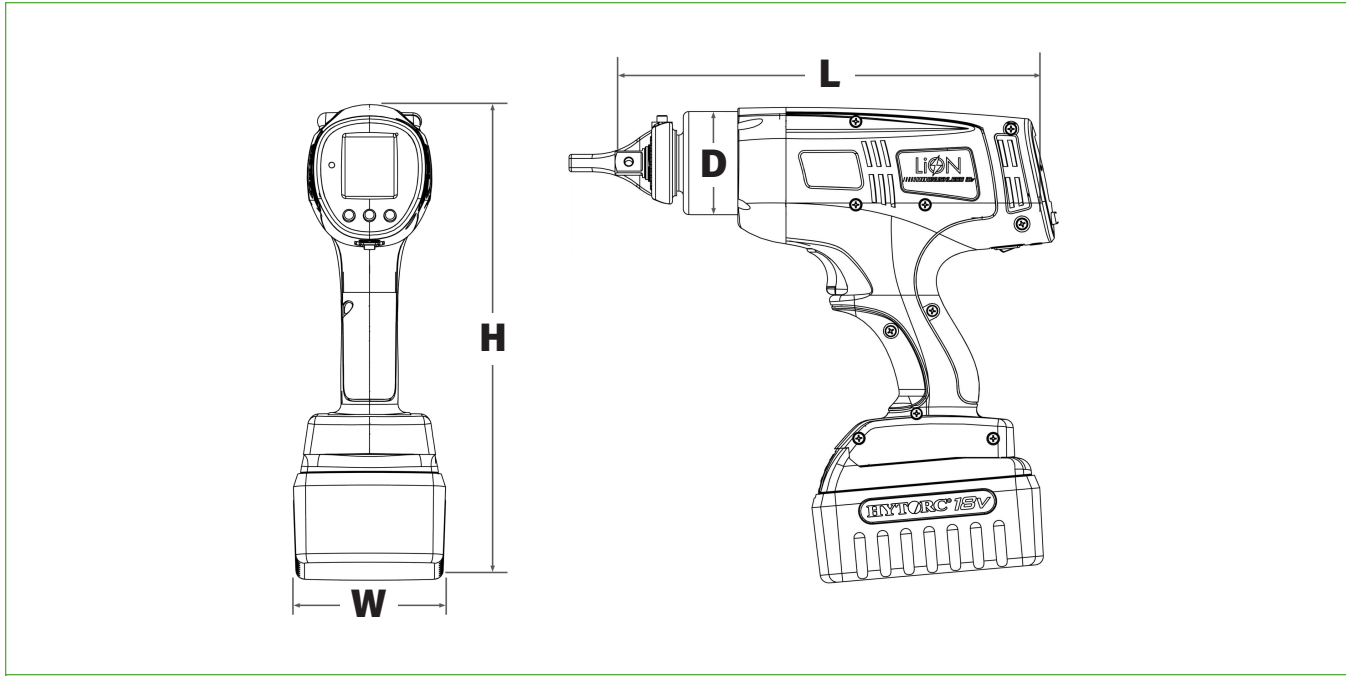
Through the use of aerospace-grade alloys, the LION GUN packs tremendous power without the weight. The 18-Volt lithium-ion battery provides long lasting operation with a quick recharge time to keep the job going.

DATA RECORDING



Built-in data recording capability allows the user to maintain a log of all completed bolting jobs. For improved quality control and accountability, the information can be saved to a PC or tablet to provide a permanent record of the work performed. Wireless data transfer is also available on select configurations.

ELECTRIC



LEGEND: H = HEIGHT W = WIDTH L = LENGTH D = DIAMETER

CONFIGURATION	H	W	L	D	SQUARE DRIVE	WEIGHT	TORQUE		RPM
IMPERIAL	in.					lbs.	ft-lbs(Min)	ft-lbs(Max)	
LIONGUN-.25	10.83	3.47	10.16	2.35	1/2	7.30	25	250	11.6
LIONGUN-.25-BSM	10.83	3.47	10.16	2.35	1/2	7.30	25	250	11.6
LIONGUN-.7	10.83	3.47	11.13	2.45	3/4	8.22	70	700	4.1
LIONGUN-.7-BSM	10.83	3.47	11.13	2.45	3/4	8.22	70	700	4.1
METRIC	mm					kg	Nm(Min)	Nm(Max)	RPM
LIONGUN-.25	275	88	258	60	13	3.32	34	339	11.6
LIONGUN-.25-BSM	275	88	258	60	13	3.32	34	339	11.6
LIONGUN-.7	275	88	283	62	19	3.74	95	949	4.1
LIONGUN-.7-BSM	275	88	283	62	19	3.74	95	949	4.1

CONFIGURATION

LIONGUN

Model:

LIONGUN Tool

Capacity:

Available: .25, .7

Communication:

Blank: USB only

BSM: Bluetooth Communication

EXAMPLES

1. LIONGUN-.25-BSM Standard LIONGUN Tool, 250 ft-lb capacity with Bluetooth Communication
2. LIONGUN-.7 Standard LIONGUN Tool, 700 ft-lb capacity, without Bluetooth - USB Corded Connection Only

HYTORC

Headquarters:

333 Route 17 N., Mahwah, NJ 07430
+1-201-512-9500

Email:

info@hytorc.com

Phone:

1-800-FOR-HYTORC

Online:

hytorc.com